



Stat-X®

Solo Mini

Fire Alarm Control Panel

SOLO MINI FIRE ALARM CONTROL PANEL MANUAL/AUTO

V0.1c

A very compact alarm & activation panel for automatic fire protection installations.

- Supports LHS and switch type (N.O.) heat detectors.
- Automatic extinguisher activation 5-10 seconds after continuous detector alarm signal.
- Manual Extinguisher Operate button.
- VFC relay contacts for engine/fan shutdown.
- Full continuity and ground fault monitoring on sensor and extinguisher circuits.
- Low power mode for battery backed-up applications.



Indications:

- Power On: GREEN LED
- Fire Alarm: BEEPER + RED flash LED, points to operate switch.
- Fault LED: RED = Extinguisher fault, BLUE = Sensor Fault
- Sounder: Output for additional external sounder.

Controls:

Extinguisher operate button (behind tear-off anti-tamper tag)

Features:

- "Universal" 12 or 24Vdc negative earth power
- Manual operate switch may be pressed at any time for immediate extinguisher operation
- Supports up to 4 extinguisher units (see application notes).

SPECIFICATION (at 24VDC supply unless otherwise stated):

Power Supply	Operating Voltage	11 to 32V DC
	Quiescent Current	5mA Max (Ignition off, no alarm) 20mA Max (Ignition on, no alarm or faults)
	Maximum Alarm Current Draw	200mA (excluding extinguisher and AUX ALARM load currents)
	Max current draw	4A@28V (including extinguisher operate current) 2A@14V (including extinguisher operate current)
Suppressor Activation	Discharge Current	1A to 4A depending on voltage and number of suppressors (StatX = 2 Ohms each unit, Rs=6) Up to 2 units on 12V, 4 units max on 24V Connect them in series.
	Current/Time Limit	Output = Vin (via switch) with 6 Ohms in series. Constant I ² T limit = 9 Amp ² *Seconds (8V supply => 1A for 9sec, 24V => 3A for 1sec) This also limits fault current/time.
	Loop Monitoring Current	<4mA, Fault if loop >560R, Max o/c voltage = Vin
Linear Heat Sensor (LHS)	Max Output voltage	= 13V max
	Output current limit	0.25A
	Alarm condition	<10 Ohms Nominal
	Alarm Threshold	Approximately 100 Ohms
	End Of Line Resistor	22K Ohms
	Fault Monitoring	Open circuit or ground fault = fault indication
External Sounder	Output Voltage/Current	Vout = Vin limited, 150mA Max
Ambient Temperature		-10 to +70 C
Mechanical	Dimensions	H=50mm * W=52mm * D=45mm
	Mounting	46mm - 48mm diameter round hole retained by two #6*25 self tapping screws
	Connections	Spring type terminal PCB connector blocks Option wire tails with automotive style connectors

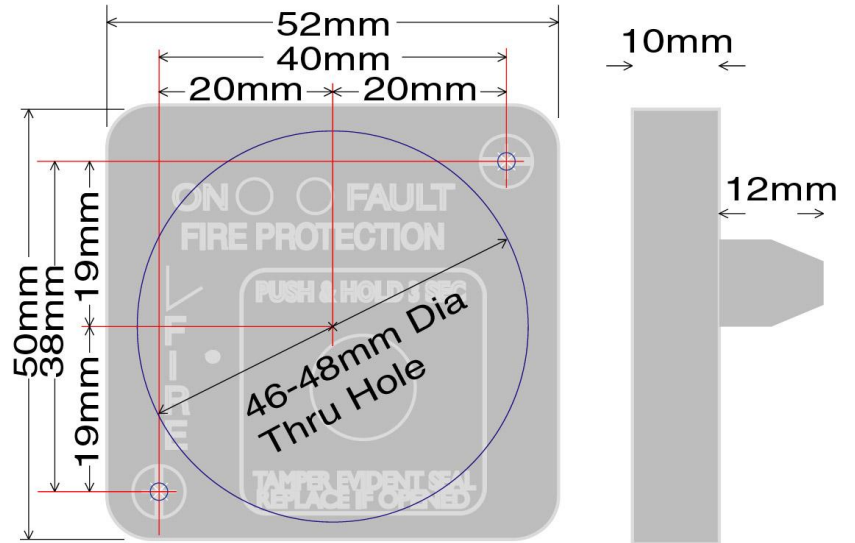
PANEL LAYOUT:

(Anti-tamper tag removed)

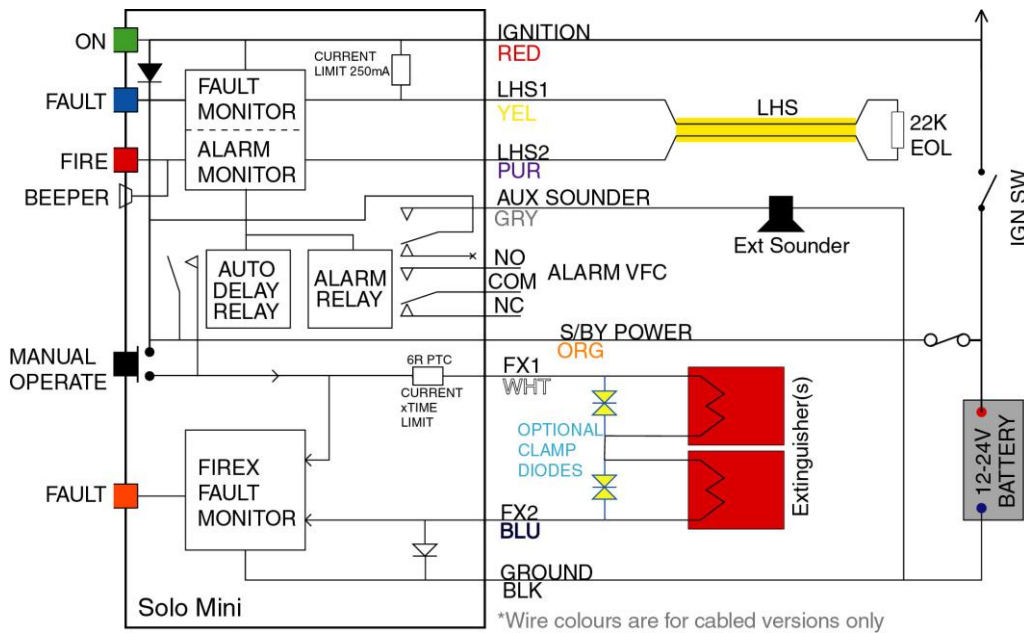


OUTLINE & MOUNTING TEMPLATE:

(From the front and side)



TYPICAL APPLICATION CIRCUIT:



Installation Notes:

Front of panel is rated to IP54 only when the anti-tamper tag is fitted. Prevent moisture from getting on to the unit. Locate to avoid excessive direct solar exposure as the UV may degrade the tag seal over time.



Call to discuss your specific requirements with one of our professionals.